

Quartz Crystal Unit

2J Series

Glass Sealed Ceramic SMD Package (7 x 5 mm)

(2 Pads)

MEC Crystals

Features:

- Ultra small SMD type crystal units
- High reliable environmental performance
(ceramic package, glass sealed)
- Automatic mounting
- Reasonable cost
- Good delivery performance
- **RoHs Compliant (Pb Free)**



Electrical Specifications:

Frequency Range	8.000 MHz to 80.000 MHz
Frequency Tolerance (at 25°C)	±30ppm, ±50ppm or specify
Frequency Stability over Operating Temperature Characteristics	±30ppm, ±50ppm or specify
Operating Temperature Range	-10°C to +60°C -20°C to +70°C -40°C to +85°C
Storage Temperature Range	-55°C to +125°C
Aging (at 25°C)	±3ppm, ±5ppm / year
Shunt Capacitance	5pF maximum
Drive Level	10µW to 100µW
Load Capacitance	Series, 16pF, 20pF, 30pF, 32pF or specify
Shock Resistance	Drop test of 3 times on 2mm stainless plate from 75cm height

Equivalent Series Resistance (ESR) and Mode of Operation (Mode):

Frequency Range	E.S.R. (ohms)	Mode
8.000MHz ~ 15.999MHz	70 Max.	Fundamental / AT
10.000MHz ~ 30.000MHz	40 Max.	Fundamental / AT
30.000MHz ~ 45.000MHz	60 Max.	Third Overtone / AT
45.000MHz ~ 80.000MHz	50 Max.	Third Overtone / AT

Part Numbering System:

2J 16.000 F 16 X 30 50
① ② ③ ④ ⑤ ⑥ ⑦

① Series

2J

② Frequency

Frequency
ex. 16.000

③ Mode of Vibration

Code	Cut-Mode
F	AT Fund
3	AT 3rd OT

④ Load Capacitance CL

Code	Load Capacitance
S	Series
16	16pF
20	20pF
30	30pF
32	32pF

⑤ Operating Temperature

Code	Ranges
A	-10°C ~ +60°C
B	-20°C ~ +70°C
X	-40°C ~ +85°C

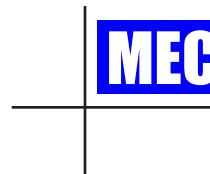
⑥ Frequency Tolerance

Code	Tolerance
10	± 10 ppm
15	± 15 ppm
20	± 20 ppm
25	± 25 ppm
30	± 30 ppm
50	± 50 ppm
or specify	

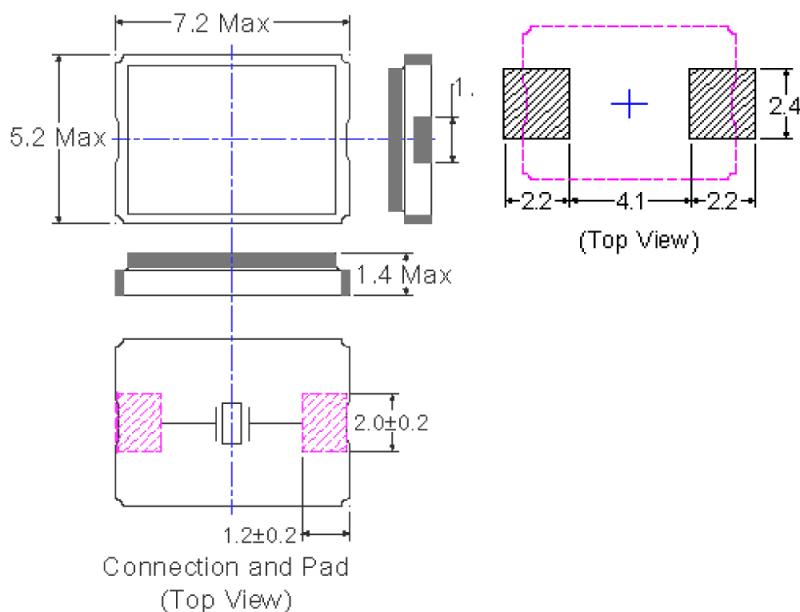
⑦ Frequency Stability

Code	Stability
10	± 10 ppm
15	± 15 ppm
20	± 20 ppm
25	± 25 ppm
30	± 30 ppm
50	± 50 ppm
or specify	

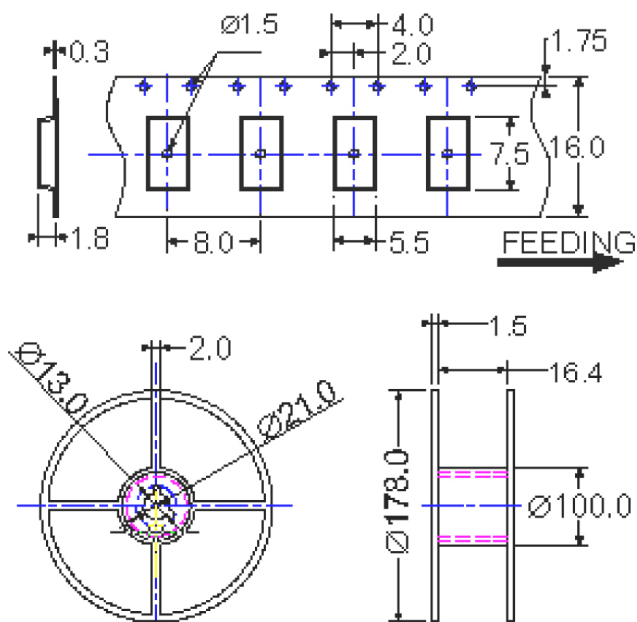
Remark: Specifications are subject to change without prior notice. Please confirm with our sales engineer.



Dimensions: (unit : mm)



Packing: (unit : mm)



Reflow Condition:

