

SMD Quartz Crystal Unit

4V Series



Seam Sealed Ceramic 4.0 x 2.5mm

Features:

- Ultra thin, thickness 1.00mm
- Leadless type
- High precision characteristic covering up to high frequency range
- Automatic mounting
- Embossed taping specification
- Suitable for reflow soldering
- 1000pcs per reel
- **RoHs Compliant (Pb Free)**



Electrical Specifications:

MEC Part #	4V	
Output Frequency Range	12 ~ 48MHz	
Mode	Fundamental	
Frequency Tolerance (at 25°C)	±10ppm ~ 50ppm, or specify	
Frequency Stability Over Operating Temperature Characteristics	-10°C ~ +60°C, ±10ppm, -20°C ~ +70 ±20ppm, or specify	
Storage Temperature Range	-55°C to +125°C	
Operating Temperature Range	-40°C to +85°C	
Shunt Capacitance(C ₀)	5.0pF Max	
Driver Level (Typical)	0.1μW ~ 100μW	
Load Capacitance (C _L)	Series, 10pF, 20pF, 30pF, 32pF, or specify	
Equivalent Series Resistance ESR	12.000 ~ 15.999Mhz	60Ωmax
	16.000 ~ 19.999Mhz	50Ωmax
	20.000 ~ 48.000Mhz	40Ωmax
Aging @25°C 1 st year (Max)	±3ppm/year	
Insulation Resistance	More then 500 MΩ at DC 100V	
Shock Resistance	Drop test of 3 times on 2mm stainless plate from 75cm height	

Part Numbering System:

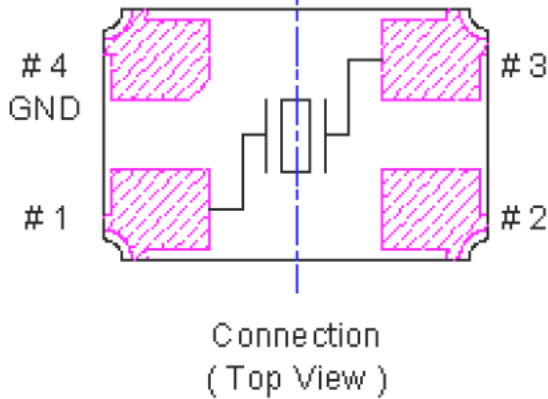
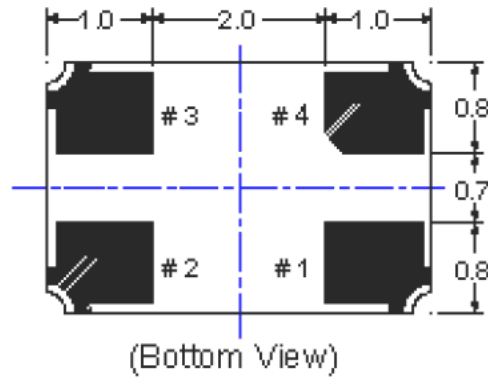
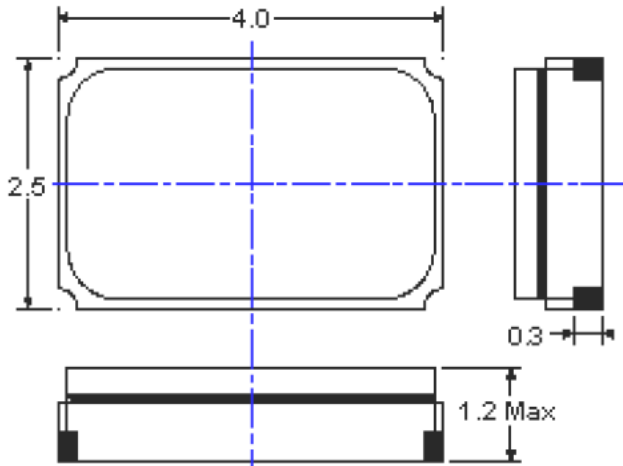
4V 16.000 F 16 B 10 30
 ① ② ③ ④ ⑤ ⑥ ⑦

① Series	② Frequency	③ Mode of Vibration	④ Load Capacitance CL	⑤ Operating Temperature	⑥ Frequency Tolerance	⑦ Frequency Stability
4V	Frequency ex. 16.000	Code Cut-Mode F AT Fund	Code Load Capacitance S Series 10 10pF 16 16pF 20 20pF 30 30pF 32 32pF	Code Ranges A -10°C ~ +60°C B -20°C ~ +70°C X -40°C ~ +85°C	Code Tolerance 10 ± 10 ppm 15 ± 15 ppm 20 ± 20 ppm 25 ± 25 ppm 30 ± 30 ppm 50 ± 50 ppm or specify	Code Stability 10 ± 10 ppm 15 ± 15 ppm 20 ± 20 ppm 25 ± 25 ppm 30 ± 30 ppm 50 ± 50 ppm or specify

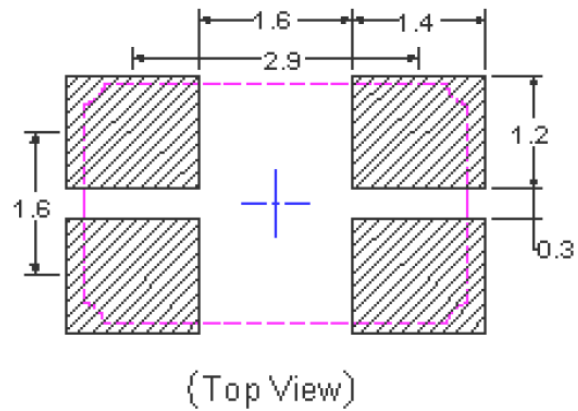
Remark: Specifications are subject to change without prior notice. Please confirm with our sales engineer.

Seam Sealed Ceramic 4.0 x 2.5mm

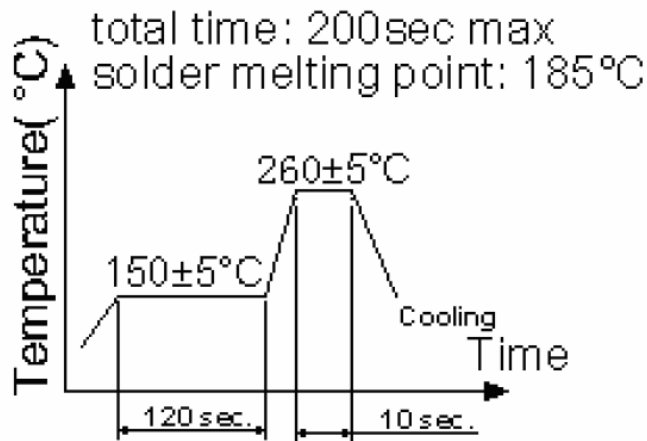
Dimensions:



Reference Land Pattern:



Reflow Condition:



Tape and Reel:

