

SMD Tuning Fork Crystal

CB Series

Cylindrical Type (2 x 6mm)

2 Pads Layout

MEC Crystals

Features:

- Wide frequency range
- Small size
- Tape & reel (3000 pcs / reel)
- **RoHs Compliant (Pb Free)**

Applications:

- Microprocessor systems
- Consumer electronics



Electrical Specifications:

Frequency Range	30.000KHz ~ 350.000KHz	32.768KHz
Frequency Tolerance	±20ppm, 30ppm, 50ppm or specify	±20ppm
E.S.R.	32KHz ~ 40KHz, 50Kohm max	50Kohm max
	40KHz ~ 60KHz, 40Kohm max	
	60KHz ~ 70KHz, 30Kohm max	
	70KHz ~ 100KHz, 25Kohm max	
	100KHz ~ 200KHz, 20Kohm max	
Turnover Temperature	25°C ± 5°C	25°C ± 5°C
Frequency Temperature Curve	-0.034 (±0.006)ppm/°C ²	-0.034 (±0.006)ppm/°C ²
Storage Temperature	-55°C ~ +125°C	-55°C ~ +125°C
Operating Temperature	-10°C ~ +60°C, -20°C ~ +70°C, -40°C ~ +85°C	-40°C ~ +85°C
Shunt Capacitance (C ₀)	2.0pF Typical	1.3pF Typical
Dynamic Capacitance (C ₁)	4.0pF Typical	2.4pF Typical
Drive Level (Typical)	1µW max	1µW max
Load Capacitance (C _L)	6.0pF ~ 12.5pF or specify	6.0pF or 12.5pF
Aging at 25°C 1st year (max)	±3ppm, ±5ppm / year	±3ppm / year

Part Numbering System:

CB — 32.000 A X 2
① ② ③ ④ ⑤

① Series

CB

② Frequency

Frequency
ex. 16.000

③ Load Capacitance CL

Code	Load Capacitance
A	6pF
B	12.5pF
Specify	

④ Operating Temperature

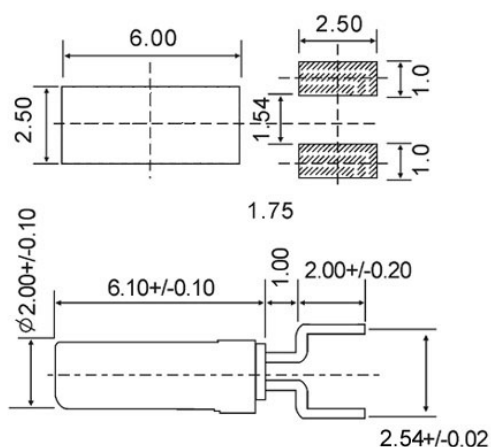
Code	Ranges
A	-10°C ~ +60°C
B	-20°C ~ +70°C
X	-40°C ~ +85°C

⑤ Frequency Tolerance

Code	Tolerance
2	± 20 ppm
3	± 30 ppm

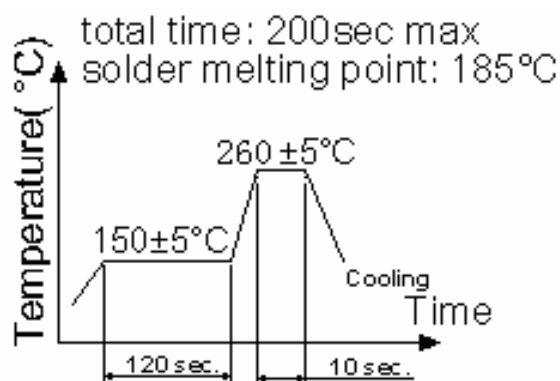
Remark: Specifications are subject to change without prior notice. Please confirm with our sales engineer.

Dimensions:



Note: We recommend to use conductive adhesive to fix the holder on PCB because the holder cannot endure the high temperature reflow solder.

Reflow Soldering Profile:



Tape:

