

SMD Tuning Fork Crystal Jacket Type

CBJ-32.768BX2



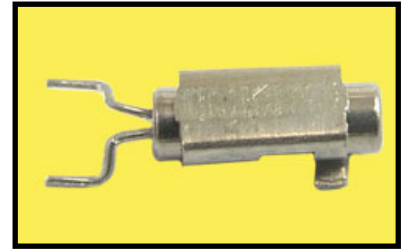
Cylindrical Type

Features:

- Wide frequency range
- Small size
- Tape & reel (3000pcs)
- Reflow Available
- RoHs Compliant (Pb Free)

Applications:

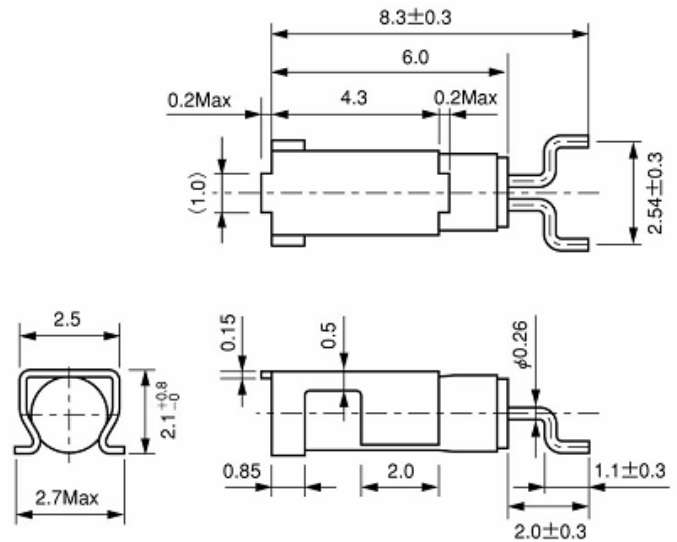
- Microprocessor systems
- Consumer electronics



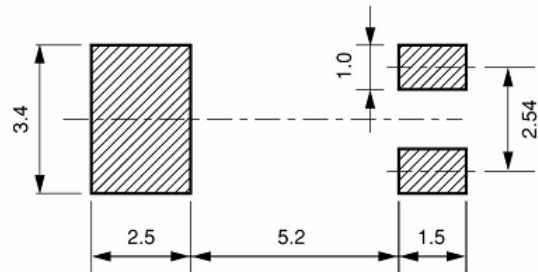
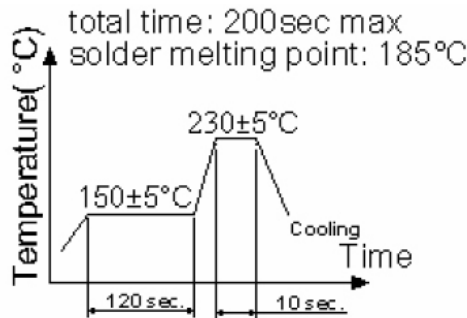
Electrical Specifications:

Frequency	32.768KHz
Frequency Tolerance	±20ppm
E.S.R.	50Kohm max
Turnover Temperature	25°C ± 5°C
Frequency Temperature Curve	-0.034 (±0.006)ppm/°C ²
Storage Temperature	-55°C ~ +125°C
Operating Temperature	40°C ~ +85°C
Shunt Capacitance (C ₀)	1.3pF Typical
Dynamic Capacitance (C ₁)	0.0024pF Typical
Drive Level (Typical)	1μW max
Load Capacitance (C _L)	12.5pF
Aging at 25°C 1st year (max)	±3ppm / year
Q Factor	70,000 Typical

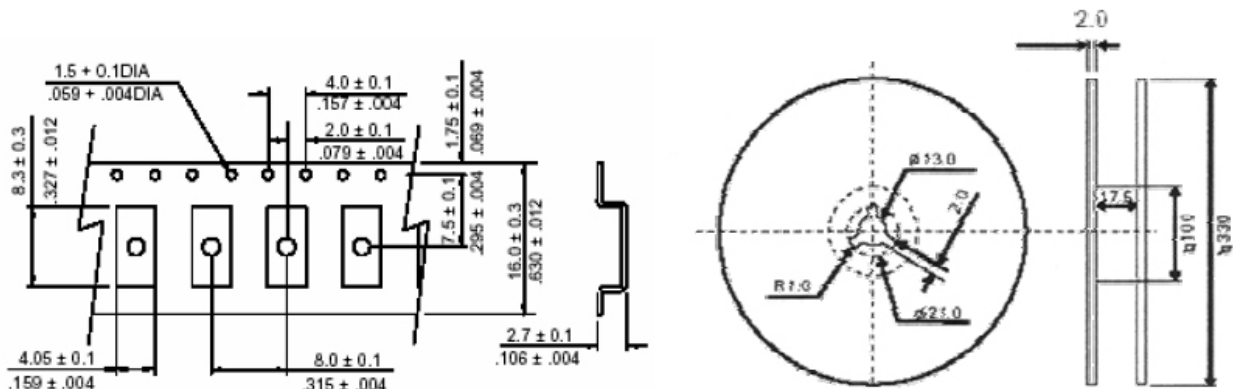
Dimensions:



Reflow Soldering Profile:



Packing (Tape & Reel: 3000pcs):



Remark: Specifications are subject to change without prior notice. Please confirm with our sales engineer.