

## SMD Tuning Fork Crystal

MCM450S-327-6

SMD Ultra Miniature Type

(32.768 KHz, 6pF)

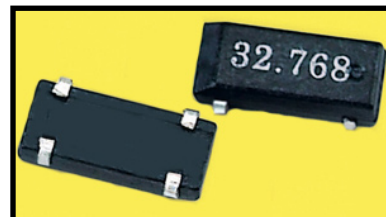
**MEC Crystals**

### Features:

- High stability
- Low profile, plastic SM package
- Tape & Reel (3000 pcs/reel)
- Frequency: 32.768 KHz
- Load Capacitance: 6pF
- **RoHs Compliant (Pb Free)**
- **Soldering Temp. Profile 260°C**

### Applications:

- Microprocessor systems
- Consumer electronics



### Electrical Specifications:

Part #	MCM450S-327-6	
Item	Symbol	Specifications
Frequency	f <sub>0</sub>	32.768 KHz
Frequency Tolerance	delta f/f <sub>0</sub> (25°C)	±20ppm
Turnover	TO	25 ± 5°C
Frequency Temp. Coefficient	beta	-0.034 ± 0.006ppm / °C <sup>2</sup>
Operating Temperature	T	-40°C ~ +85°C
Storage Temperature	T <sub>stg</sub>	-55°C ~ +125°C
Equivalent Series Resistance	R <sub>1</sub> (25°C ref.)	50 Kohm max
Max Insulation Resistance	IR	500 Mohm Min. (DC 100V ± 15V)
Load Capacitance	CL	6pF
Dynamic Capacitance	C <sub>1</sub>	2.4 fF Typical
Shunt Capacity	C <sub>0</sub>	1.3 pF Typical
Drive Level	DL	1.0 μ W Max.
Aging	fa	±3ppm / year (25°C ± 3°C)

**Remark:** Specifications are subject to change without prior notice. Please confirm with our sales engineer.

# SMD Tuning Fork Crystal

MCM450S-327-6

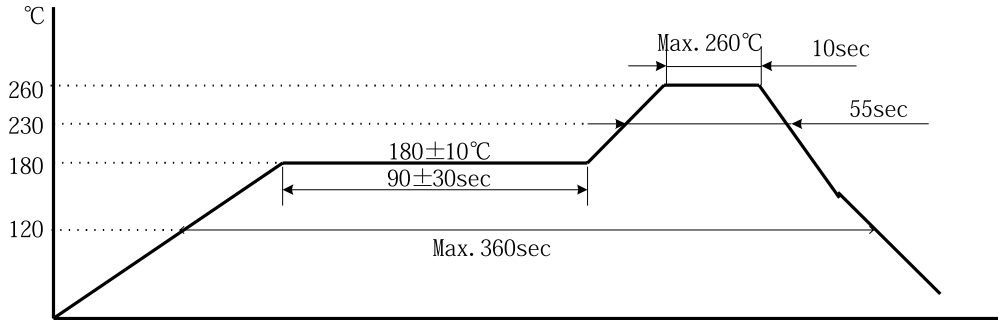


SMD Ultra Miniature Type

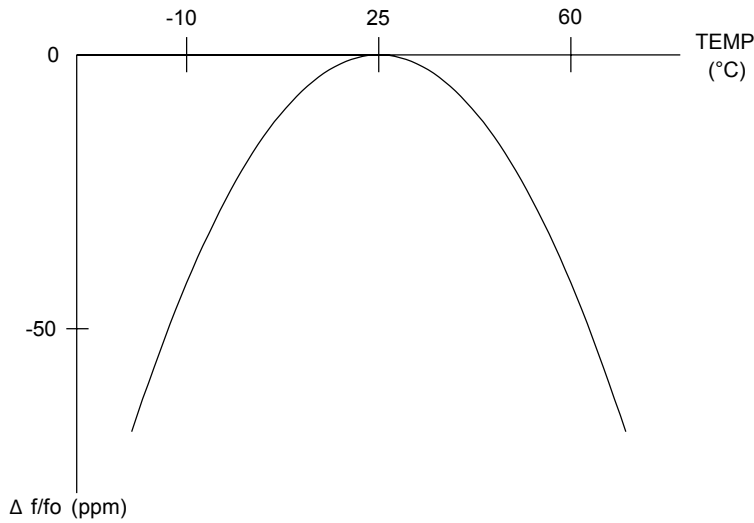
(32.768 KHz, 6pF)

## Soldering Profile:

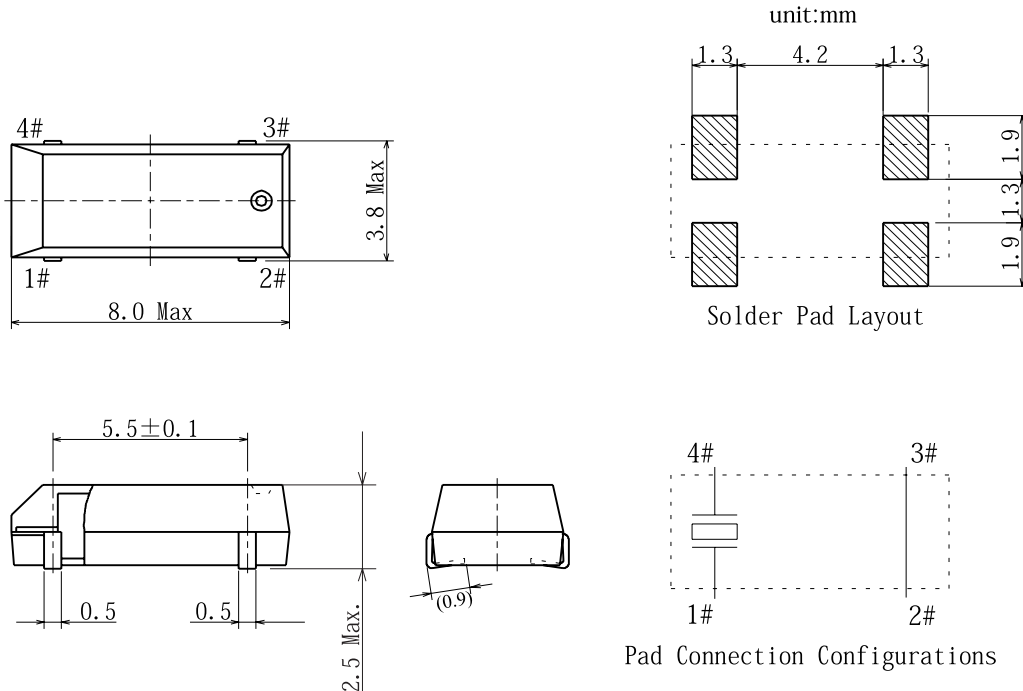
The soldering temperature is  $260 \pm 5^\circ\text{C}$  for 10 sec max.



## Frequency vs Temperature Curve:



## Dimensions:



**Remark:** Specifications are subject to change without prior notice. Please confirm with our sales engineer.

