

SMD Tuning Fork Crystal

MCM565-327



SMD Ultra Miniature Ceramic Package Type

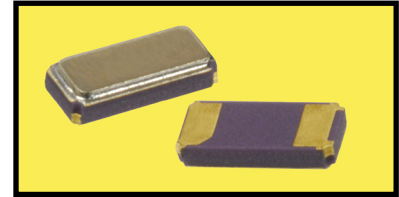
(3.2 x 1.5 x 0.8mm)

Features:

- Small Size and Low Profile
- Ceramic Package
- High Density SMD Type
- Tape & Reel (3000 pcs/reel)
- Frequency: 32.768 KHz
- **RoHs Compliant (Pb Free)**
- **Soldering Temp. Profile 260°C**

Applications:

- Microprocessor systems
- Consumer electronics



Electrical Specifications:

Series		MCM565-327
Item	Symbol	Specifications
Frequency	f ₀	32.768 KHz
Frequency Tolerance	Δf/f ₀ (25°C)	±10ppm or ±20ppm
Turnover	TO	25 ± 5°C
Frequency Temp. Coefficient	beta	-0.034 ± 0.005 ppm / °C ²
Operating Temperature	T	-40°C ~ +85°C
Storage Temperature	T _{stg}	-55°C ~ +125°C
Equivalent Series Resistance	R ₁ (25°C ref.)	70 Kohm max
Load Capacitance	CL	6pF, 7pF, 9pF, 12.5pF or Specify
Motional Capacitance	C ₁	6.0 fF Typical
Shunt Capacity	C ₀	1.0 pF Typical
Drive Level	DL	1.0 μW ax.
Insulation Resistance	IR	500 MΩ min.
Aging	f _a	±3ppm / year (25°C ± 3°C)

Part Numbering System:

MCM565-327 - 9 10PPM

① ② ③

① Series

MCM565-327

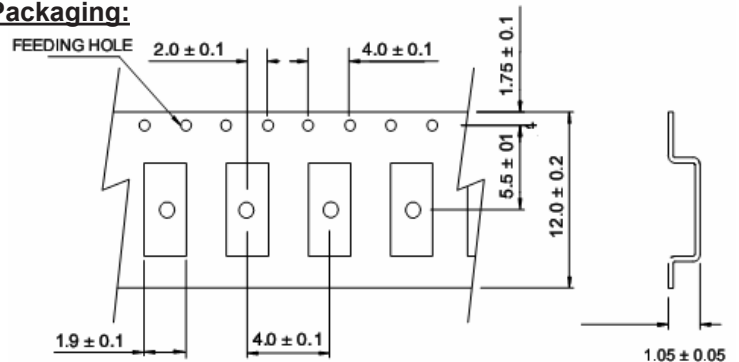
② Load Capacitance CL

Code	Load Capacitance
6	6pF
7	7pF
9	9pF
12.5	12.5pF
or Specify	

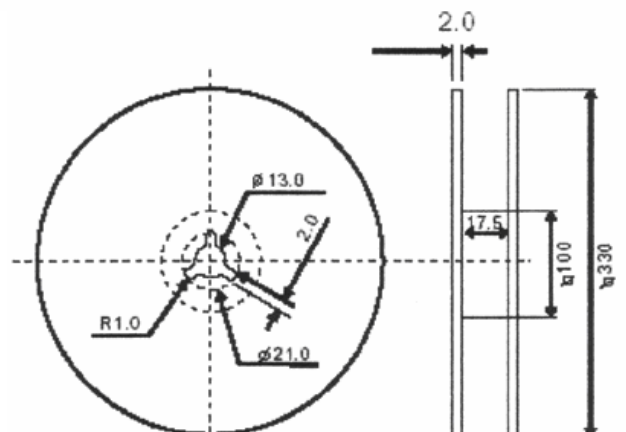
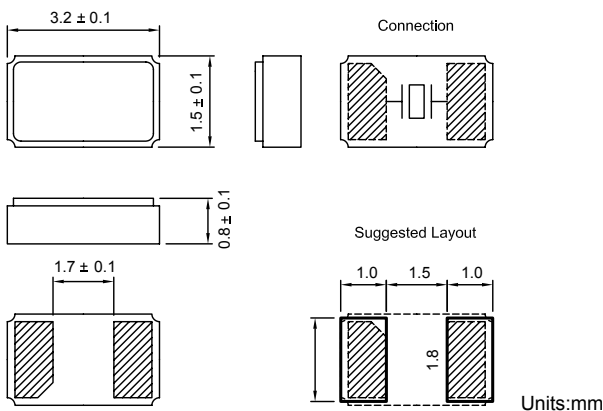
③ Frequency Tolerance

Code	Tolerance
10PPM	± 10 ppm
Blank	± 20 ppm (Standard)

Packaging:



Dimensions: (mm)



Remark: Specifications are subject to change without prior notice. Please confirm with our sales engineer.