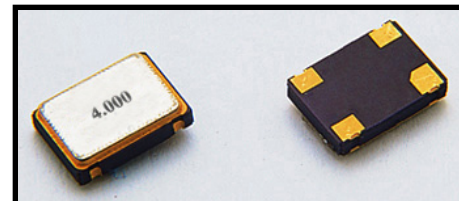


# VCXO SMD Voltage Controlled Crystal Oscillator S4 Series



Seam sealed ceramic 7 x 5 x 1.6mm voltage control

VCXO (4 Pads)



## Features:

- Ultra small SMD type
- High precision characteristics covering up to high frequency range
- Automatic mounting
- Built-in C-MOS IC with tri-state function
- Low noise and current with reduced power consumption
- **RoHs Compliant (Pb Free)**

## Electrical Specifications:

Parameters		S4 1	S4 2	S4 3	S4 4
Fan Out Type		TTL/CMOS	CMOS	TTL/CMOS	CMOS
Supply Voltage		5V	3.3V	5V	3.3V
Frequency Range		1 ~ 150 MHz			
Frequency Stability (25°C)		± 25ppm, ± 50ppm, ± 100ppm			
Pad Type		4 Pads			
Operating Temperature		-10°C ~ 70°C, -20°C ~ 70°C, -40°C ~ 85°C			
Storage Temperature Range		-55°C ~ 125°C			
Aging (25°C)		± 3ppm / year maximum			
Input Current	Frequency Range	1.544 ~ 31.999MHz 35mA max (15pF) 40mA max (50pF)	1.544 ~ 31.999MHz 25mA max	1.544 ~ 31.999MHz 30mA max	1.544 ~ 31.999MHz 25mA max
		32 ~ 150MHz 45mA max (15pF) 55mA max (50pF)	32 ~ 150MHz 40mA max	32 ~ 150MHz 45mA max	32 ~ 150MHz 40mA max
Driving Ability	10 LSTTL Load Max			15pF	15pF
	CMOS Load Max	15pF / 50pF	15pF		
	TTL Load Max	10TTL			
Outout Voltage	"0" Level (Low Voltage)	0.4V / 0.5Vdc	0.33Vdc	0.5Vdc	0.33Vdc
	"1" Level (High Voltage)	2.4V / 4.5Vdc	2.97Vdc	4.5Vdc	2.97Vdc
Symmetry	at 1/2 Vdd	45/55% or 40/60% max.			
Rise / Fall Time	at 0.1Vdd ~ 0.9Vdd	10 ns max.			
Start-up Time	Load Range	10 ms (15pF) / 5ms (50pF)			
E/D Function	#1 OPEN	PIN #3 ACITVE			
	#1 >= 2.2V	PIN #3 ACTIVE			
	#1 <= 0.8V	PIN #3 HIGHZ			
PAD Connection		PIN #1 E/D		PIN #3 OUT	
		PIN #2 GND		PIN #4 Vdd	

## Part Numbering System:

**S4** **1** **A** — **4.000** **B** **T** **—**

①    ②    ③                    ④                    ⑤    ⑥    ⑦

① Series	② Output Load	③ Frequency Stability	④ Frequency	⑤ Operating Temperature	⑥ Output Symmetry	⑦ Output Load			
Series	Parameters	Frequency Stability	Frequency	Code	Ranges	Code	Output Symmetry	Code	Output Load
S4: 4 Pad	1    5V CMOS	A: ±100 ppm	Unit : MHz	A	-10°C ~ +70°C	Nil	40% / 60%	Nil	Standard
	2    3.3V CMOS	B: ±50 ppm	5 digits min.	B	-20°C ~ +70°C	T	45% / 55%	X	Custom
	3    5V TTL	D: ±25 ppm		X	-40°C ~ +85°C				
	4    3.3V TTL								

**Remark:** Specifications are subject to change without prior notice. Please confirm with our sales engineer.

# VCXO SMD Voltage Controlled Crystal Oscillator S4 Series

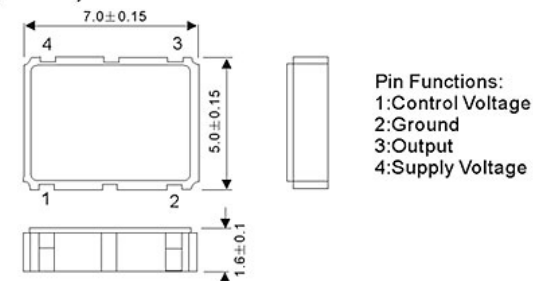
Seam sealed ceramic 7 x 5 x 1.6mm voltage control

VCXO (4 Pads)

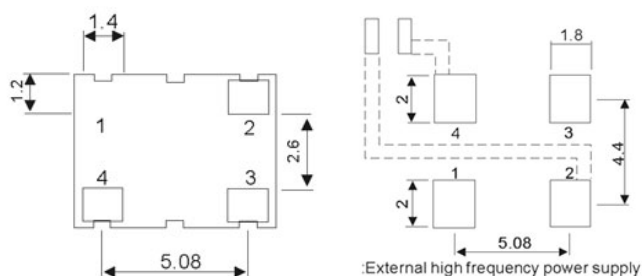


## Dimensions:

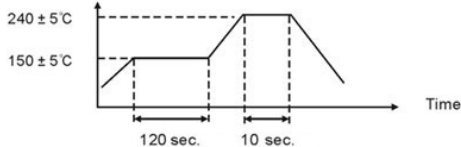
(4 Pad)



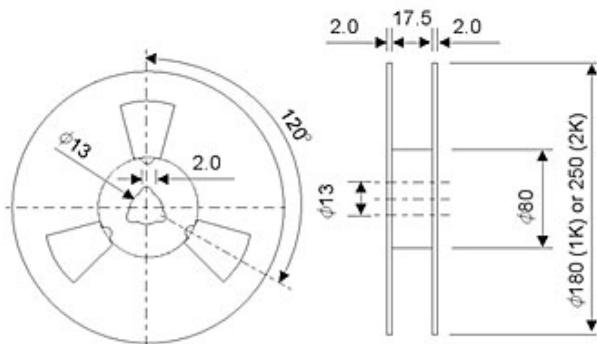
Pin Functions:  
 1: Control Voltage  
 2: Ground  
 3: Output  
 4: Supply Voltage



## REFLOW CONDITION:

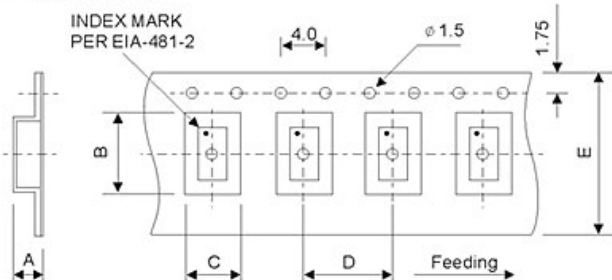


Total time : 200 seconds Max.  
 Solder melting point : 185°C



REMARK:  
 1. 230 mm (9.05) minimum leader which consist of carrier and/or cover tape followed by a minimum of 160 mm (6.3) of empty carrier tape sealed with cover tape.  
 2. 160 mm (6.3) minimum trailer of empty carrier tape sealed with cover tape.

## PACKING:



SIZE
A 1.3
B 5.45
C 3.65
D 8.0
E 16.0
1K or 2K

Remark: Specifications are subject to change without prior notice. Please confirm with our sales engineer.