

# VCXO SMD Voltage Controlled Crystal Oscillator S6 Series

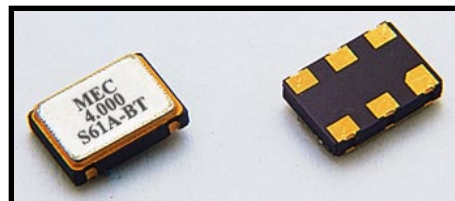
Seam sealed ceramic 7 x 5 x 1.6mm voltage control

VCXO (6 Pads)



## Features:

- Ultra small SMD type
- High precision characteristics covering up to high frequency range
- Automatic mounting
- **RoHs Compliant (Pb Free)**



## Electrical Specifications:

Parameters	S6 1	S6 2	S6 3	S6 4	
Fan Out Type	CMOS		TTL		
Supply Voltage	5V	3.3V	5V	3.3V	
Frequency Range	1 ~ 125 MHz				
Frequency Stability (25°C)	± 25ppm, ± 50ppm, ± 100ppm				
Pad Type	6 pads				
Operating Temperature	-10°C ~ 70°C, -20° ~ 70°C, -40°C ~ 85°C				
Storage Temperature Range	-55°C ~ 125°C				
Supply Current	<= 30MHz, 30mA, >30MHz, 45mA				
Aging (25°C)	± 3ppm / year maximum				
Load	Output Loading Capacitance	15pF, 50pF		15pF	
	Voltage Voh (min)	4.5Vdc	2.97Vdc	4.5Vdc	2.97Vdc
	Voltage Vol (max)	0.5Vdc	0.33Vdc	0.5Vdc	0.33Vdc
	Symmetry (duty cycle)	40 ~ 60% maximum			
	Rise / Fall Time	10 ns max.			
	Start-up Time	10 ms max.			
Frequency Control	Pullability	100 ppm minimum or specify			
	Voltage Control	0.5 ~ 4.5Vdc	0.3 ~ 3.0Vdc	0.5 ~ 4.5Vdc	0.3 ~ 3.0Vdc
	Monotonic Linearity	< ± 10%			
	Input Impedance	50 Kohms normal			

## Part Numbering System:

**S6** **1** **A** — **4.000** **B** **T** **—**

①    ②    ③                    ④                    ⑤    ⑥    ⑦

① Series	② Output Load	③ Frequency Stability	④ Frequency	⑤ Operating Temperature	⑥ Output Symmetry	⑦ Output Load			
Series	Parameters	Frequency Stability	Frequency	Code	Ranges	Code	Output Symmetry	Code	Output Load
S6: 6 Pad	1   5V CMOS 2   3.3V CMOS 3   5V TTL 4   3.3V TTL	A: ±100 ppm B: ±50 ppm D: ±25 ppm	Unit : MHz 5 digits min.	A   -10°C ~ +70°C B   -20°C ~ +70°C X   -40°C ~ +85°C	Nil   40% / 60% T   45% / 55%	Nil   Standard X   Custom			

**Remark:** Specifications are subject to change without prior notice. Please confirm with our sales engineer.

# VCXO SMD Voltage Controlled Crystal Oscillator S6 Series

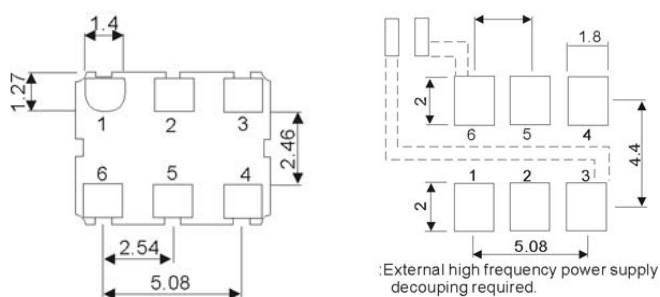
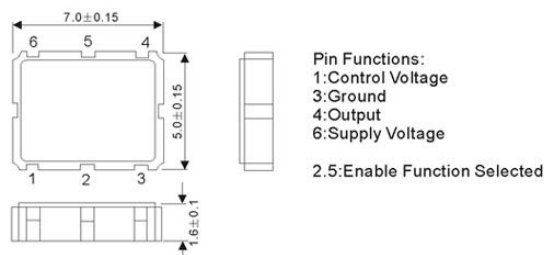
Seam sealed ceramic 7 x 5 x 1.6mm voltage control

VCXO (6 Pads)

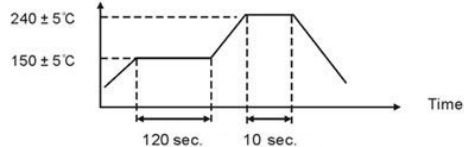


## Dimensions:

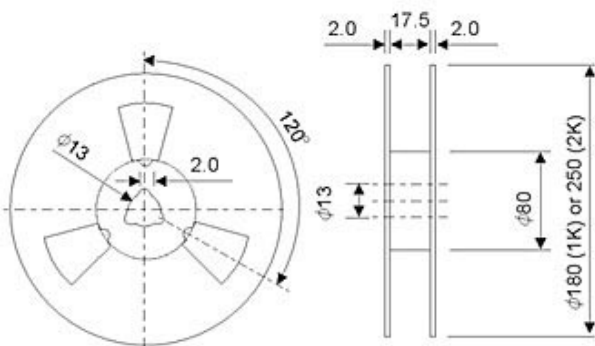
(6 Pad)



## REFLOW CONDITION:

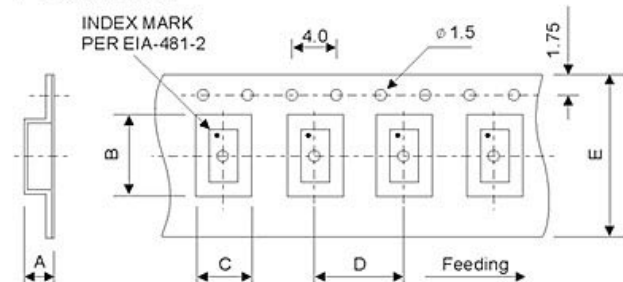


Total time : 200 seconds Max.  
 Solder melting point : 185°C



REMARK:  
 1. 230 mm (9.05) minimum leader which consist of carrier and/or cover tape followed by a minimum of 160 mm (6.3) of empty carrier tape sealed with cover tape.  
 2. 160 mm (6.3) minimum trailer of empty carrier tape sealed with cover tape.

## PACKING:



SIZE
A 1.3
B 5.45
C 3.65
D 8.0
E 16.0
IK or 2K

**Remark:** Specifications are subject to change without prior notice. Please confirm with our sales engineer.