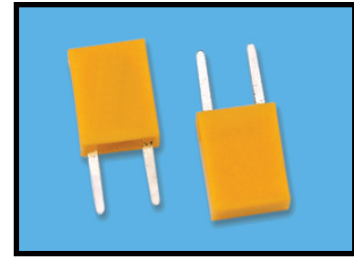


Dip Type

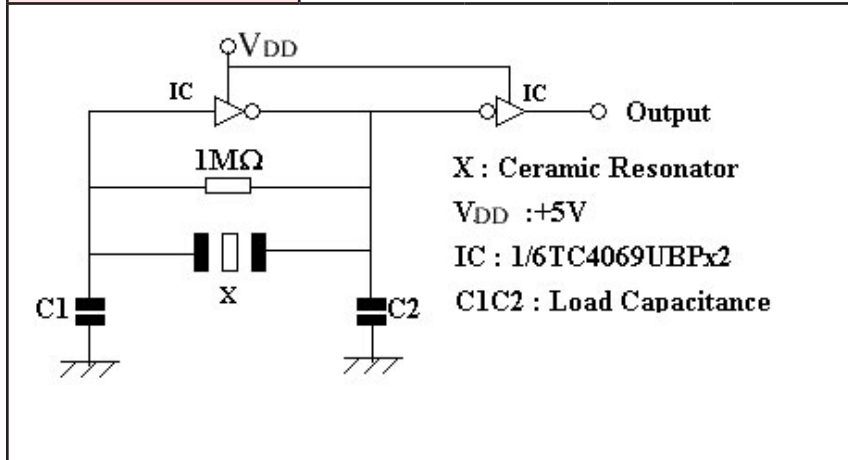
Features:

- Industry standard dimensions.
- Built-in capacitance load.
- Low frequencies.
- High stability.
- **RoHs Compliant (Pb Free)**



Electrical Specifications:

Part Number *	Frequency Range (KHz)	Frequency Accuracy (at 25°C)	Capacitance Values (± 20%)		Resonant Resistance (ESR) Ω max.	Dimensions (mm)				
			C1	C2		W	H	L	S	T
ZTB ___ E	190 - 249	± 1KHz	330 pF	470 pF	≤ 20	13.5	14.7	8.0	10.0	3.8
ZTB ___ E	250 - 374	± 1KHz	220 pF	470 pF	≤ 20	11.0	12.2	7.0	10.0	3.8
ZTB ___ E	375 - 400	± 1KHz	120 pF	470 pF	≤ 20	7.9	9.3	7.0	7.7	3.6
ZTB ___ E	401 - 429	± 1KHz	120 pF	470 pF	≤ 20	7.0	9.0	6.0	5.0	3.5
ZTB ___ E	430 - 509	± 2KHz	100 pF	100 pF	≤ 20	7.0	9.0	6.0	5.0	3.5
ZTB ___ E	510 - 699	± 2KHz	100 pF	100 pF	≤ 20	7.0	9.0	6.0	5.0	3.5
ZTB ___ E	700 - 1250	± 0.5KHz	100 pF	100 pF	≤ 70	5.2	6.8	3.5	2.5	2.8
Operating Temperature	- 20°C to 70°C									
Storage Temperature	- 35°C to 85°C									
Frequency Tolerance (-20°C to +80°C)	± 0.3% max.									
Aging for 10 years	± 0.3% max.									
Rating Voltage	50V DC Max.									
Max Voltage	50V P-P									
Insulation Resistance	50MΩ min.									
Optional Features	Tape & reel									



* Complete part number to include frequency i.e. ZTB455E (455 = 455KHz).