

(Built-in Capacitors)

Features:

- Low cost.
- Built-in Capacitance Load.
- Good stability.
- Industry standard dimensions.
- Wide frequency range.
- Radial taping available.

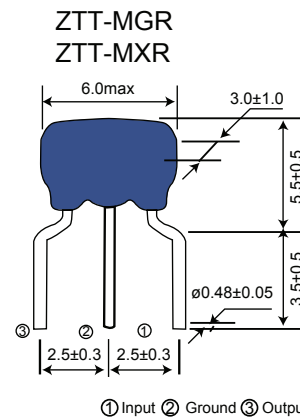
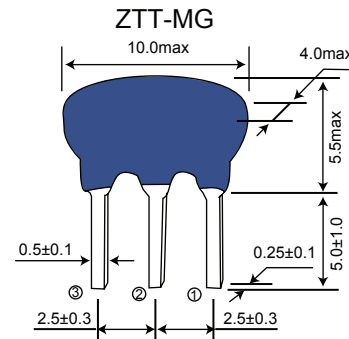
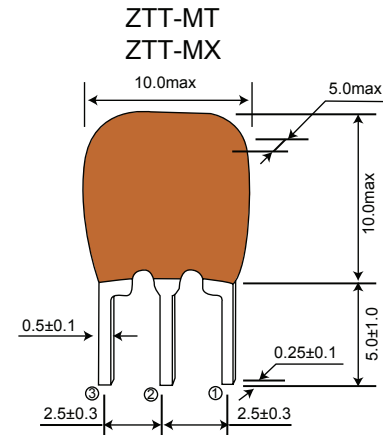
- RoHs Compliant (Pb Free)

- Exemption according to RoHs Directive 2002/95/EC Annex point 7

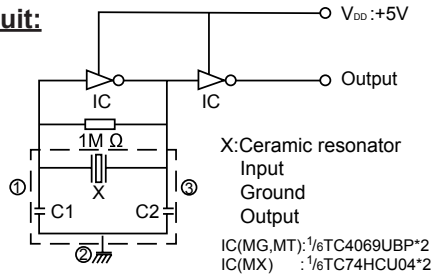
Electrical Specifications:

Part Number *	Frequency Range (MHz)	Standard Load Capacitance	Color
ZTT - __ MG	1.79 - 6.00	30pF	Blue
ZTT - __ MGR	6.01 - 12.50		Blue
ZTT - __ MT	6.00 - 13.00	22pF	Tan
ZTT - __ MX	12.00 - 60.00	≤ 20 MHz: 30pF 20.1-26 MHz: 15pF ≥ 26.1 MHz: 5pF	Tan
ZTT - __ MXR	16.00 - 60.00		Blue
Resonant Resistance (ESR)	≤30Ω		
C1 = C2 Capacitance Values (±20%)	see Standard Values (or specify 30pF, 22pF, 15pF, 10pF, 5pF)		
Operating Temperature	- 25°C to 85°C		
Storage Temperature	- 55°C to 85°C		
Frequency Tolerance (at 25°C)	± 0.5% max.		
Frequency Stability (-20°C to 80°C)	± 0.3% max.		
Aging for 10 years	± 0.3% max.		
Rating Voltage	DC Voltage 6VDC AC Voltage 15Vpp		
Withstanding Voltage	50 DC, 1 min.		
Insulation Resistance	500 MΩ min. at 10VDC		
Optional Features	Tape & reel		

Dimensions (mm):



Test Circuit:



Part Numbering System:

ZTT **25.00** **MG** **TR**
 ① ② ③ ④ ⑤

① Series

ZTT

② Frequency

Frequency
1.80 ~ 50.00

③ Type

Type
MG
MGR
MT
MX
MXR

④ C1 = C2 Capacitance

Code	Capacitance
Nil	30pF
22	22pF
15	15pF
5	5pF

⑤ Packing

Code	Packing
Nil	Bulk
TR	Tape & Reel

Remark: Specifications are subject to change without prior notice. Please confirm with our sales engineer.